

ELECTRONIC VALVE SPECIFICATION
SPECIFICATION MOS/CV2436-43 ISSUE 2 DATED AUGUST, 1958

AMENDMENT No.1

Page 3

Note Y

Under "Dimension of Pattern", line 3:-

<u>Amend</u>	CV 2438	65mm x 73mm
<u>to read</u>	CV 2438	65mm x 63mm

R.R.E.

July, 1959
N.70910

ELECTRONIC VALVE SPECIFICATIONS

SPECIFICATION MOS/CV2436-43

ISSUE 2 DATED AUGUST 1958

AMENDMENT No.2

Page 5. Amend:- Distance between the end terminal and 36.1 ring gauge plane to read 147 ± 5 instead of 155 ± 3 .

February, 1960
N.16340

R.R.E.

MINISTRY OF SUPPLY/R.R.E.

VALVE ELECTRONIC

CV2436-43

Specification MOS/CV2436-CV2443 Issue 2, dated:- August, 1958. To be read in conjunction with K1001 and BS448		Security Specification Unclassified		Valve Unclassified																																		
← Indicates a change																																						
TYPE OF VALVE:- Monoscope TYPE OF DEFLECTION:- Magnetic TYPE OF FOCUS Electrostatic BULB:- Glass, internally and externally coated with a conductive coating. PROTOTYPE:- VCRX389 PATTERNS:- See note A			MARKING See K1001/4																																			
			BASE B8-0 See BS 448																																			
			CONNECTIONS																																			
			<table border="1"> <thead> <tr> <th>PIN</th> <th></th> <th></th> </tr> </thead> <tbody> <tr> <td>1</td> <td></td> <td>Int. Connection</td> </tr> <tr> <td>2</td> <td>a₁</td> <td></td> </tr> <tr> <td>3</td> <td>a₂</td> <td>Int. Connection</td> </tr> <tr> <td>4</td> <td></td> <td></td> </tr> <tr> <td>5</td> <td>g.</td> <td></td> </tr> <tr> <td>6</td> <td>k.</td> <td></td> </tr> <tr> <td>7</td> <td>h.</td> <td></td> </tr> <tr> <td>8</td> <td>h.</td> <td></td> </tr> <tr> <td>Side contact</td> <td>a₃</td> <td></td> </tr> <tr> <td>End terminal</td> <td></td> <td>sig. plate</td> </tr> </tbody> </table>			PIN			1		Int. Connection	2	a ₁		3	a ₂	Int. Connection	4			5	g.		6	k.		7	h.		8	h.		Side contact	a ₃		End terminal		sig. plate
PIN																																						
1		Int. Connection																																				
2	a ₁																																					
3	a ₂	Int. Connection																																				
4																																						
5	g.																																					
6	k.																																					
7	h.																																					
8	h.																																					
Side contact	a ₃																																					
End terminal		sig. plate																																				
RATING																																						
Heater Voltage	(V)	4.0																																				
Heater Current	(A)	1.0																																				
Max. Va3	(KV)	7																																				
Max. Va1	(KV)	1.4																																				
Max. Va3 - sig. plate	(V)	200																																				
Min. Va3 - sig. plate	(V)	50																																				
Max. Beam current.	(uA)	250																																				
TYPICAL OPERATING CONDITIONS																																						
Va3	(KV)	5																																				
Va2	(V)	830																																				
Va1	(V)	1250																																				
Sig. plate to a3	(V)	-100																																				
Vg for cut off	(V)	-70																																				
R _L	(kohms)	1 to 5																																				
I _b	(uA)	5																																				
Peak to Peak I sig.	(uA)	I _b to I _b 4 2																																				
			SIDE CONTACT CT7. See BS 448 or adapted to CT7 from CT8, using adaptor on Page 6																																			
			END TERMINAL OBA Stud																																			
CAPACITANCES			DIMENSIONS See drawing Page 5																																			
Max Cg - all	(pf)	20																																				
Max Ck - all	(pf)	15																																				
Max C sig. p. - all	(pf)	10																																				
Notes A. CV2436 to CV2443 identical monoscopes except for the patterns illustrated on Page 4.																																						

CV2436-CV2443/2/1

Z.18937.

MINISTRY OF SUPPLY/R.R.E.

VALVE ELECTRONIC CV2436-43

Specification MOS/CV2436-CV2443 Issue 2, dated:- August, 1958. To be read in conjunction with K1001 and BS448		Security Specification Valve Unclassified Unclassified																																																	
← Indicates a change																																																			
TYPE OF VALVE:- Monoscope TYPE OF DEFLECTION:- Magnetic TYPE OF FOCUS Electrostatic BULB:- Glass, internally and externally coated with a conductive coating. PROTOTYPE:- VCRX389 PATTERNS:- See note A		MARKING See K1001/4 BASE B8-0 See BS 448																																																	
<table border="1"> <thead> <tr> <th colspan="3">RATING</th> </tr> </thead> <tbody> <tr> <td>Heater Voltage</td> <td>(V)</td> <td>4.0</td> </tr> <tr> <td>Heater Current</td> <td>(A)</td> <td>1.0</td> </tr> <tr> <td>Max. Va3</td> <td>(kV)</td> <td>7</td> </tr> <tr> <td>Max. Va1</td> <td>(kV)</td> <td>1.4</td> </tr> <tr> <td>Max. Va3 - sig. plate</td> <td>(V)</td> <td>200</td> </tr> <tr> <td>Min. Va3 - sig. plate</td> <td>(V)</td> <td>50</td> </tr> <tr> <td>Max. Beam current.</td> <td>(uA)</td> <td>250</td> </tr> </tbody> </table>		RATING			Heater Voltage	(V)	4.0	Heater Current	(A)	1.0	Max. Va3	(kV)	7	Max. Va1	(kV)	1.4	Max. Va3 - sig. plate	(V)	200	Min. Va3 - sig. plate	(V)	50	Max. Beam current.	(uA)	250	<table border="1"> <thead> <tr> <th colspan="2">CONNECTIONS</th> </tr> </thead> <tbody> <tr> <td>PIN</td> <td></td> </tr> <tr> <td>1</td> <td>Int. Connection</td> </tr> <tr> <td>2</td> <td>a₁</td> </tr> <tr> <td>3</td> <td>a₂</td> </tr> <tr> <td>4</td> <td>Int. Connection</td> </tr> <tr> <td>5</td> <td>g.</td> </tr> <tr> <td>6</td> <td>k.</td> </tr> <tr> <td>7</td> <td>h.</td> </tr> <tr> <td>8</td> <td>h.</td> </tr> <tr> <td>Side contact</td> <td>a₃</td> </tr> <tr> <td>End terminal</td> <td>sig. plate</td> </tr> </tbody> </table>		CONNECTIONS		PIN		1	Int. Connection	2	a ₁	3	a ₂	4	Int. Connection	5	g.	6	k.	7	h.	8	h.	Side contact	a ₃	End terminal	sig. plate
RATING																																																			
Heater Voltage	(V)	4.0																																																	
Heater Current	(A)	1.0																																																	
Max. Va3	(kV)	7																																																	
Max. Va1	(kV)	1.4																																																	
Max. Va3 - sig. plate	(V)	200																																																	
Min. Va3 - sig. plate	(V)	50																																																	
Max. Beam current.	(uA)	250																																																	
CONNECTIONS																																																			
PIN																																																			
1	Int. Connection																																																		
2	a ₁																																																		
3	a ₂																																																		
4	Int. Connection																																																		
5	g.																																																		
6	k.																																																		
7	h.																																																		
8	h.																																																		
Side contact	a ₃																																																		
End terminal	sig. plate																																																		
<table border="1"> <thead> <tr> <th colspan="3">TYPICAL OPERATING CONDITIONS</th> </tr> </thead> <tbody> <tr> <td>Va3</td> <td>(kV)</td> <td>5</td> </tr> <tr> <td>Va2</td> <td>(V)</td> <td>830</td> </tr> <tr> <td>Va1</td> <td>(V)</td> <td>1250</td> </tr> <tr> <td>Sig. plate to a3</td> <td>(V)</td> <td>-100</td> </tr> <tr> <td>Vg for cut off</td> <td>(V)</td> <td>-70</td> </tr> <tr> <td>R_L</td> <td>(kohms)</td> <td>1 to 5</td> </tr> <tr> <td>I_b</td> <td>(uA)</td> <td>5</td> </tr> <tr> <td>Peak to Peak I sig.</td> <td>(uA)</td> <td>I_b to I_b 4 2</td> </tr> </tbody> </table>		TYPICAL OPERATING CONDITIONS			Va3	(kV)	5	Va2	(V)	830	Va1	(V)	1250	Sig. plate to a3	(V)	-100	Vg for cut off	(V)	-70	R _L	(kohms)	1 to 5	I _b	(uA)	5	Peak to Peak I sig.	(uA)	I _b to I _b 4 2	SIDE CONTACT CT7. See BS 448 or adapted to CT7 from CT8, using adaptor on Page 6																						
TYPICAL OPERATING CONDITIONS																																																			
Va3	(kV)	5																																																	
Va2	(V)	830																																																	
Va1	(V)	1250																																																	
Sig. plate to a3	(V)	-100																																																	
Vg for cut off	(V)	-70																																																	
R _L	(kohms)	1 to 5																																																	
I _b	(uA)	5																																																	
Peak to Peak I sig.	(uA)	I _b to I _b 4 2																																																	
		END TERMINAL OBA Stud																																																	
<table border="1"> <thead> <tr> <th colspan="3">CAPACITANCES</th> </tr> </thead> <tbody> <tr> <td>Max Cg - all</td> <td>(pf)</td> <td>20</td> </tr> <tr> <td>Max Ck - all</td> <td>(pf)</td> <td>15</td> </tr> <tr> <td>Max C sig. p. - all</td> <td>(pf)</td> <td>10</td> </tr> </tbody> </table>		CAPACITANCES			Max Cg - all	(pf)	20	Max Ck - all	(pf)	15	Max C sig. p. - all	(pf)	10	DIMENSIONS See drawing Page 5																																					
CAPACITANCES																																																			
Max Cg - all	(pf)	20																																																	
Max Ck - all	(pf)	15																																																	
Max C sig. p. - all	(pf)	10																																																	
Notes A. CV2436 to CV2443 identical monoscopes except for the patterns illustrated on Page 4.																																																			

CV2436-CV2443/2/1

Z.18937.

NOTESY. Signal plate patterns

The pattern shall be centred on the signal plate.

<u>Dimension of pattern</u>			<u>R.R.E. Ref. No.</u>
CV2436	75	mm x 5.5 mm	R5595
CV2437	56.5	mm x 3.5 mm	R5596
CV2438	65	mm x 73 mm	R5597
CV2439	65.5	mm x 71.5 mm	R6128
CV2440	76.5	mm x 98.5 mm	R5600
CV2441	67.25	mm x 86.5 mm	R5711
CV2442	65	mm x 87 mm	R6059
CV2443	46	mm x 3.5 mm	R6060

In the manufacture of these signal plates, a "Contact Print" from a master negative issued by R.R.E. must be used and not scaled reproduction from the illustrations on page 4, because of possible size distortion.

- Z. The vertical axis of the signal plate shall be within $\pm 10^\circ$ of the axis through the side contact and the axis of the tube. The top of the signal plate shall be on the same side of the tube as the side contact.

CV 2436
O U F H E M X

CV 2438
O 11 51 31 41 21 61 71 81
O 15 55 35 45 25 65 75 85
O 14 54 34 44 24 64 74 84
O 12 52 32 42 22 62 72 82
O 17 57 37 47 27 67 77 87
O 88 87 86 85 84 83 82 81
O 14 14 14 14 14 14 14 14
O 14 14 14 14 14 14 14 14
O 14 14 14 14 14 14 14 14

CV 2440
O 11 51 31 41 21 61 71 81 91
O 15 55 35 45 25 65 75 85 95
O 13 53 33 43 23 63 73 83 93
O 14 54 34 44 24 64 74 84 94
O 12 52 32 42 22 62 72 82 92
O 16 56 36 46 26 66 76 86 96

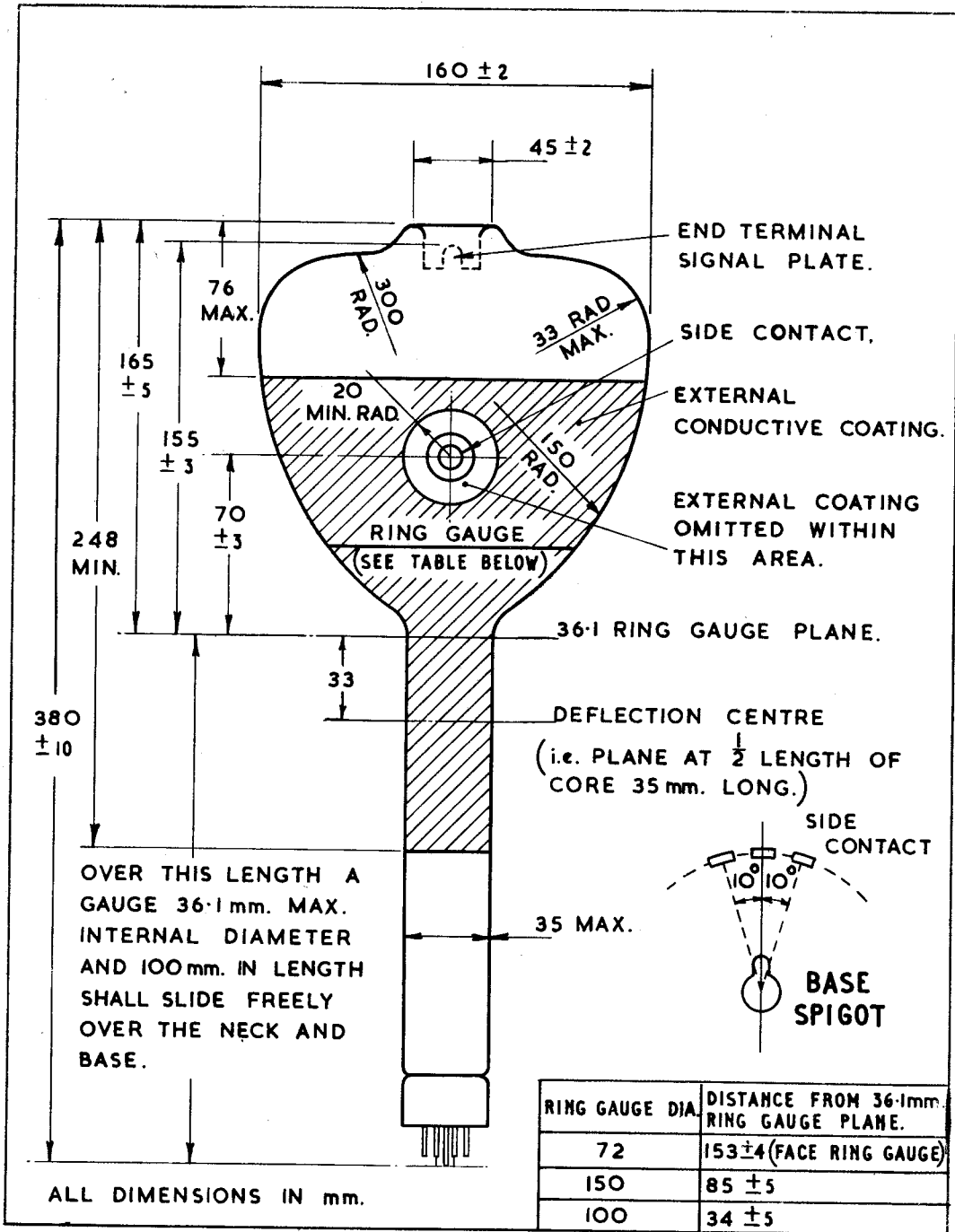
CV 2442
O 14 54 34 44 24 64 74 84
O 18 88 87 86 85 84 83 82 81
O 11 51 31 41 21 61 71 81
O 15 55 35 45 25 65 75 85
O 13 53 33 43 23 63 73 83
O 14 54 34 44 24 64 74 84
O 12 52 32 42 22 62 72 82
O 16 56 36 46 26 66 76 86
O 17 57 37 47 27 67 77 87
O 88 87 86 85 84 83 82 81
O 18 88 87 86 85 84 83 82 81

CV 2437
O U F H E M X

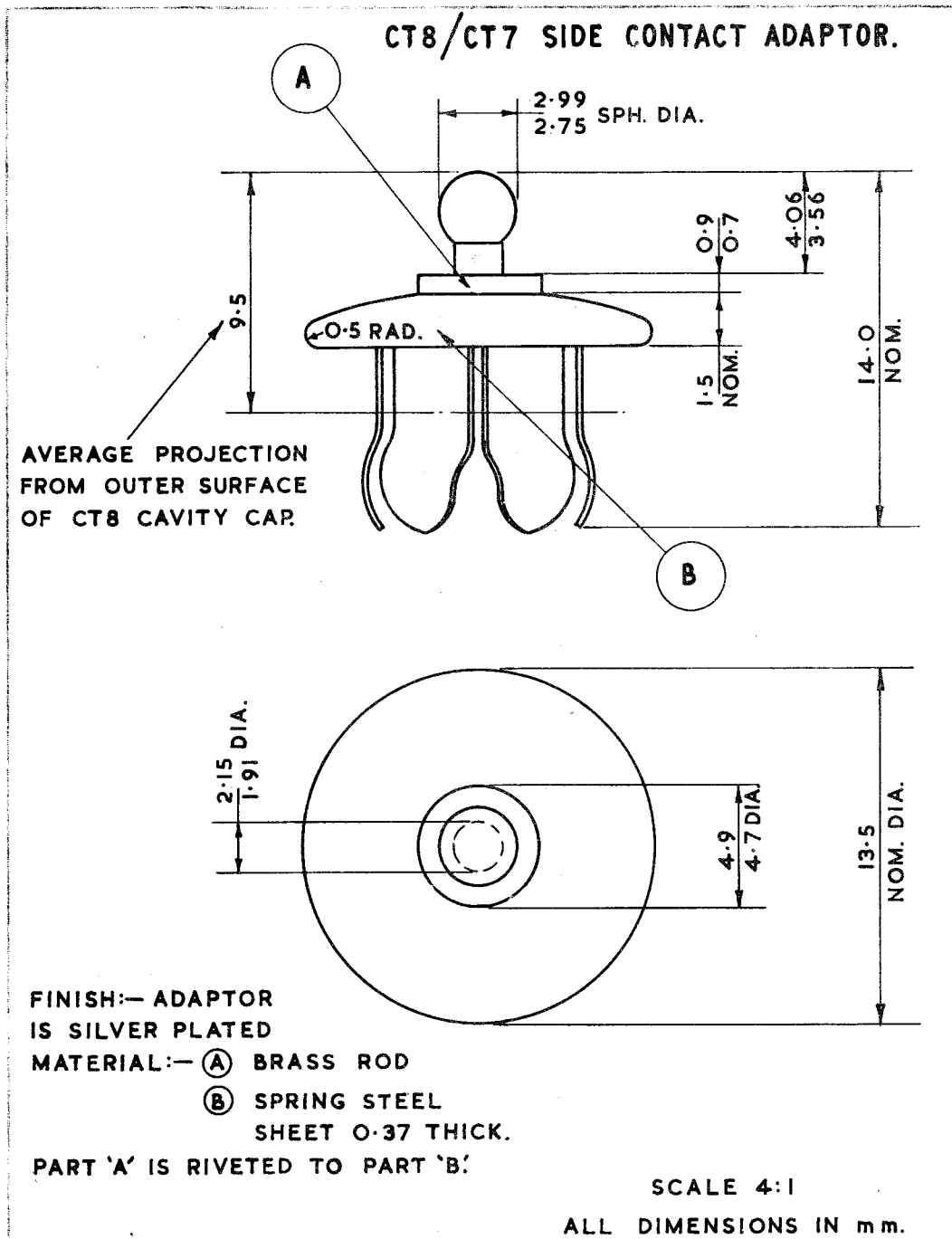
CV 2439
O 11 51 31 41 21 61 71 81
O 15 55 35 45 25 65 75 85
O 13 53 33 43 23 63 73 83
O 14 54 34 44 24 64 74 84
O 12 52 32 42 22 62 72 82
O 17 57 37 47 27 67 77 87
O 88 87 86 85 84 83 82 81
O 14 14 14 14 14 14 14 14
O 14 14 14 14 14 14 14 14
O 14 14 14 14 14 14 14 14

CV 2441
O 11 51 31 41 21 61 71 81 91
O 15 55 35 45 25 65 75 85 95
O 13 53 33 43 23 63 73 83 93
O 14 54 34 44 24 64 74 84 94
O 12 52 32 42 22 62 72 82 92
O 16 56 36 46 26 66 76 86 96

CV 2443
O U F H E M X



CV 2436-CV 2443/2/5



CV 2436--CV 2443/2/6